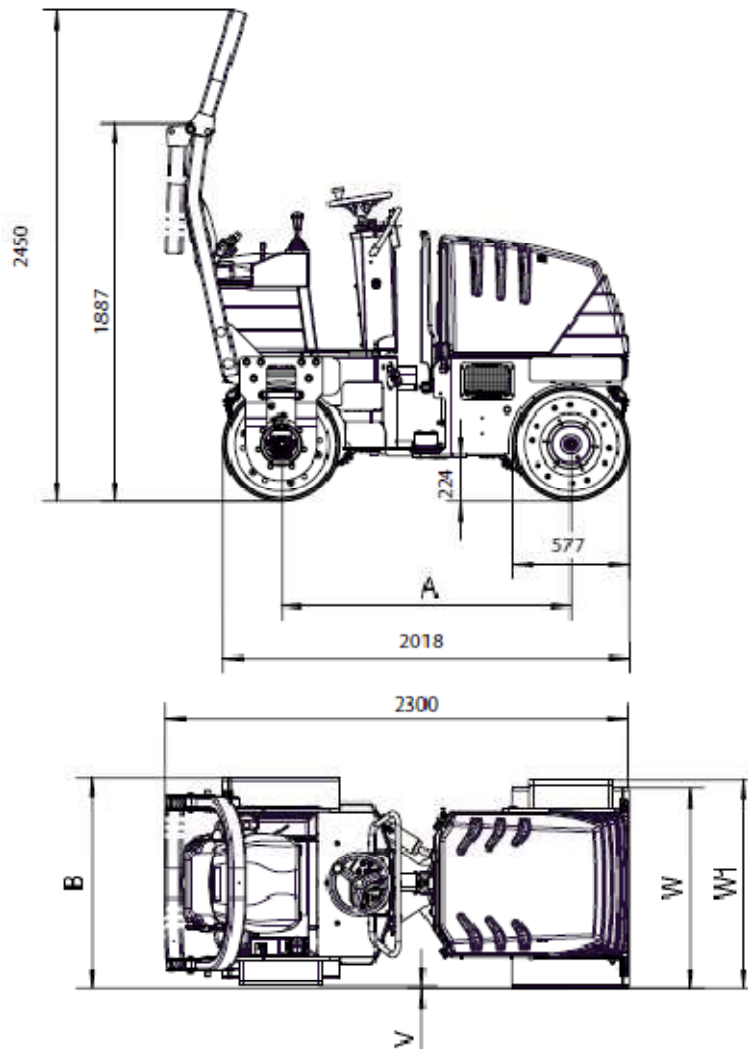


# AMMANN AV 12-2



Dimensions	L	B	H	W	W1	V
Measures in mm						
AV 12-2	2300	860	2450	820	860	40

**WINNER PLANT**

SUSSEX: 01903 230700  
 SURREY: 01483 456789  
 EMAIL: SALES@WINNERPLANT.CO.UK

# AMMANN AV 12-2

	Measuring unit	AV 12-2
<b>Weight</b>		
Operating weight CECE	kg	1500
Static linear load	kg/cm	9.1
Wheel load	kg	–
French classification		PV2
<b>Drums (Wheels)</b>		
Width	mm	820
Diameter	mm	575
Thickness	mm	13
Offset	mm	40
Number of wheels		–
Tire size		–
Tire-axle width	mm	–
Rolling width max.	mm	860
<b>Drive</b>		
Engine and type	Yanmar 3TNV76 EuroMot2 / EPA4	
1. working speed: 2100 at rpm		
Power output DIN 6270 B	kW / hp	13.2 / 18.0
Travel speed	km/h	0 – 7
Gradeability with / without vibr.	%	30 / 40
2. working speed: 2400 at rpm		
Power output DIN 6270 B	kW / hp	15.2 / 20.7
Travel speed	km/h	0 – 8
Gradeability with / without vibr.	%	30 / 40
<b>Steering</b>		
Tuning radius, outside/inside	mm	2990 / 2170
Steering / Oscillating angle	±°	31 / 5
<b>Vibration</b>		
Amplitude	mm	0.5
1. working speed: 2100 at rpm		
Frequency	Hz	61
Centrifugal force per drum	kN	13
same per cm drum width	N/cm	158
2. working speed: 2400 at rpm		
Frequency	Hz	67
Centrifugal force per drum	kN	16
same per cm drum width	N/cm	195
<b>Capacities</b>		
Water tank	l	95
Anti-adhesive tank	l	–
Hydraulic tank	l	25
Diesel fuel tank	l	26

**WINNER PLANT**

SUSSEX: 01903 230700  
 SURREY: 01483 456789  
 EMAIL: SALES@WINNERPLANT.CO.UK