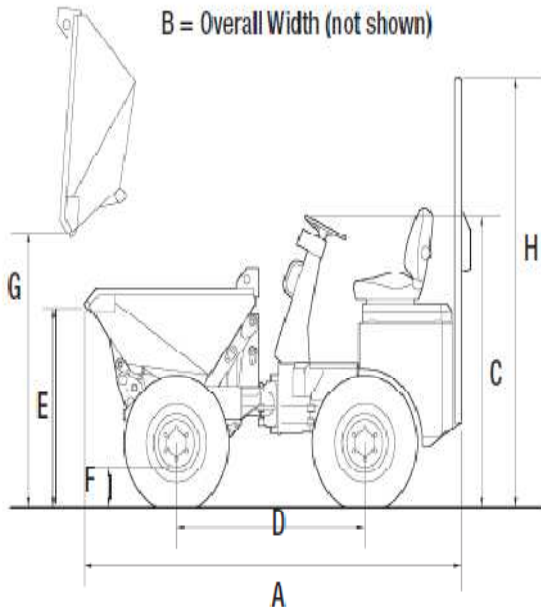




# TEREX® HD1000

	HD1000
Payload (kg)	1000
Unladen Weight (kg)	1440
Skip Capacity - Water (ltr)	338
- Struck (ltr)	446
- Heaped (ltr)	577
Engine	Kubota D905
Gross Power - kW (hp)	16.4 (22.0) @ 3000 RPM
Tyre Size	7.00 x 12 (opt.) 10.0/75x15.3
Drive	Hydrostatic
Max Travel Speed (kph)	11.0
	HD1000
Fuel Tank	42 Litres
Hydraulic Tank	27 Litres
	HD1000
Hydraulic	24 l/min, 130 bar
Braking	Hydrostatic Dynamic



A	Total Length	HD1000
B	Total Width	2959
C	Height to Top of Steering Wheel	998* / 1120
D	Wheelbase	1745
E	Height to Front Lip of Skip (lowered)	1440
F	Ground Clearance	1175
G	Height to Front Lip of Skip (discharged)	241
H	Height to Top of ROPS (raised)	1595
* When fitted with optional narrow tyres.		2483

**WINNER PLANT**

SUSSEX: 01903 230700

SURREY: 01483 456789

EMAIL: SALES@WINNERPLANT.CO.UK