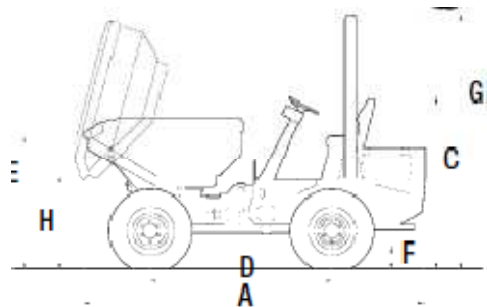




TEREX PS3000

		PS3000
Payload (kg)		3000
Unladen Weight (kg)		2550
Skip Capacity - Water (ltr)		1000
- Struck (ltr)		1500
- Heaped (ltr)		1870
Engine	Kubota V2203M	
- Net Power - kW (hp)	32.4 (43.2)	
- Capacity	2197 cc	
- Maximum Torque	145 Nm	
Tyre Size	11.5/80x15.3x8ply	
Drive	3/1 Manual – Permanent 4WD	
Max Travel Speed - mph (kph)		11.8 (19.0)
Gradeability		25 %
Fuel Tank Capacity		37 Litres
Hydraulic Tank Capacity		37 Litres



		PS3000
A	Total Length	3850
B	Total Width (not shown)	1860
C	Height to Top of Steering Wheel	1860
D	Wheelbase	1950
E	Height to Front Lip of Skip (untipped)	1500
F	Ground Clearance	300
G	Height to Top of ROPS (raised)	2680
H	Height to Front Lip of Skip (tipped)	1100
	Turning Radius to Outside of Skip	4665 mm
	Steering Angle	+/- 30°
	Oscillation	+/- 10.5°
	Tipping Type	Swing

WINNER PLANT

SUSSEX: 01903 230700

SURREY: 01483 456789

EMAIL: SALES@WINNERPLANT.CO.UK