

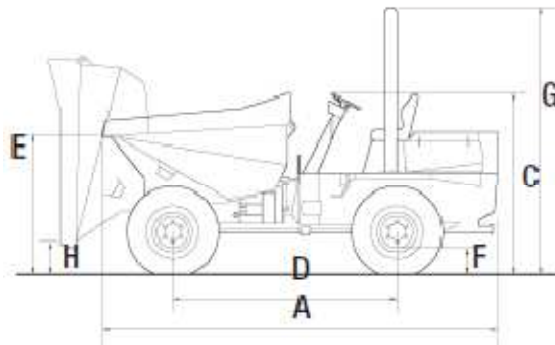


TEREX®

PT6000

	PT6000	
Payload (kg)	6000	
Unladen Weight (kg)	4110	
Skip Capacity - Water (ltr)	1950	
- Struck (ltr)	2740	
- Heaped (ltr)	3780	
Engine	Perkins 1104D-44T	
- Net Power - kW (hp)	62.5 (84hp) at 2200rpm	
- Capacity	4.4 litres (4400 cc)	
- Maximum Torque	353 Nm at 1400rpm	
Tyre Size	405/70-20-14PR	
Drive	4x4 powershuttle – Permanent 4WD	
Max Travel Speed - mph (kph)	16.8 (27.0)	
Gradeability	25 %	
Fuel Tank Capacity	67 Litres	
Hydraulic Tank Capacity	50 Litres	

B = Overall Width (not shown)



		PT6000
A	Total Length	4320
B	Total Width (not shown)	2350
C	Height to Top of Steering Wheel	2160
D	Wheelbase	2450
E	Height to Front Lip of Skip (untipped)	1630
F	Ground Clearance	380
G	Height to Top of ROPS (raised)	2910
H	Height to Front Lip of Skip (tipped)	360
	Turning Radius to Outside of Skip	5600 mm
	Steering Angle	+/- 30°
	Oscillation	+/- 10.5°
	Tipping Type	Forward

WINNER PLANT

SUSSEX: 01903 230700

SURREY: 01483 456789

EMAIL: SALES@WINNERPLANT.CO.UK