

Thwaites Micro Dumper 300

Capacities	Max. safe load	300 kg
	Heaped	145 litres
	Struck	115 litres
	Water	85 litres

Engine

Honda GXV160, 3.2 kW/4.3 bhp (nett) @ 3100 rpm, single-cylinder air-cooled petrol, Max torque 9.6 Nm (7.1 lb ft), 4 stroke OHV commercial engine, 163cc displacement, EPA/CARB compliant.

Noise Levels

Airborne sound power level 101 LwA (to 2000/14/EC)

Speeds	1	1.2 km/h (0.8 mph)
	2	2.4 km/h (1.5 mph)
	3	3.7 km/h (2.3 mph)
	4	7.4 km/h (4.6 mph)
	Reverse	2.4 km/h (1.5 mph)

Tyres	4,00-10
	4 ply
	Track-grip tread

Brakes

Automatic failsafe park brake incorporated into transaxle.

Chassis

Chassis constructed from 3mm folded steel plate.

Drive System

Peerless transaxle, four forward & one reverse gear, V belt / pulley driven.

Skip

2 mm steel, fully welded inside, mouth of skip reinforced giving greater strength to minimise skip damage. No material traps.

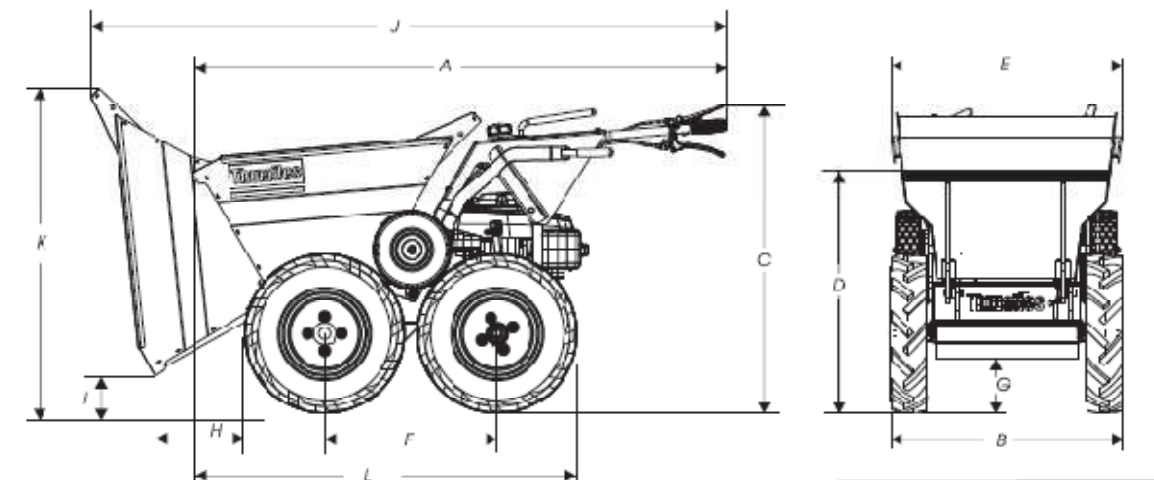
Controls

Hand operated controls consisting of a forward/reverse lever, park brake release, clutch lever, skip tip lever and thumb operated throttle lever enabling full throttle control on the move without having to let go of the handles.

Fuel Tank capacity	2.5 litres
--------------------	------------

Shipping Cube	1.04 m ³
---------------	---------------------

Unladen Weight	160 kg
----------------	--------



Dimensions (mm)

A	1606	G	164
B	700	H	267
C	926	I	117
D	731	J	1913
E	693	K	978
F	520	L	1155

WINNER PLANT

SUSSEX: 01903 230700

SURREY: 01483 456789

EMAIL: SALES@WINNERPLANT.CO.UK