



## Engine

Yanmar Diesel 3 cylinders .....	3TNV82A-XEVA
Rated output (DIN 8270B) .....	18.4 kW/25 HP/2500 rpm
Displacement .....	1331 cm <sup>3</sup>
Max. torque .....	87.31 N.m./1500 rpm

## Hydraulic circuit

System capacity .....	42 l
Max. pressure .....	206 bar
Variable flow dual piston pump .....	2 x 38.75 l/min
1 gear pump .....	1 x 21.25 l/min

## Performances

Travelling speed .....	2.7/4.6 km/h	Grade ability .....	30°
Swing speed .....	10 rpm	Shoe width .....	300 mm
Digging force (arm/bucket) .....	1800/2800 kgf	Ground clearance .....	320 mm
Boom swing (L/R) .....	50°/75°	Blade (width x height) .....	1550 x 370 mm
Ground pressure* .....	0.305/0.293 kg/cm <sup>2</sup>		* cabin/canopy



## Miscellaneous

Fuel tank .....	37 l
Cooling system .....	3.5 l
Transport dimensions (L x w x h) .....	4325 x 1550 x 2530 mm
Noise level LwA (2000/14/CE & 2005/88/CE) .....	95 dBA



## Optional equipment

Special paint	Safety device for loading
Bio Oil	Anti-theft device
Long dipper arm (+ 250 mm)	FOPS 2 protection bars on cab roof
Arm extension (+ 500 mm)	

**WINNER PLANT**

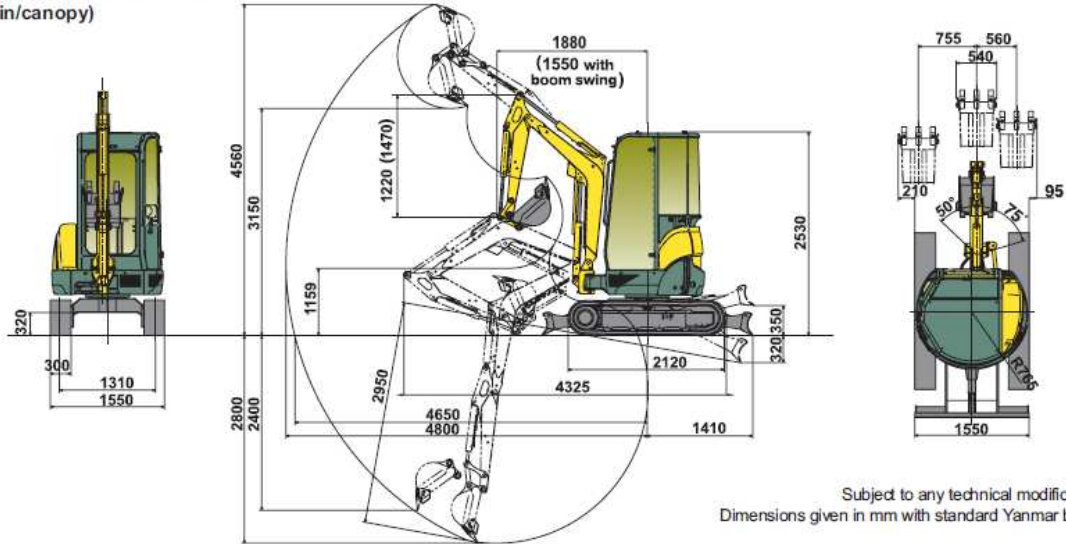
SUSSEX: 01903 230700

SURREY: 01483 456789

EMAIL: SALES@WINNERPLANT.CO.UK

**Operating weight +2% :**

3270/3140 kg rubber crawlers  
(cabin/canopy)

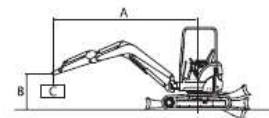


Subject to any technical modifications.  
Dimensions given in mm with standard Yanmar bucket.

Blade on ground								
A	Maxi		3.0 m		2.5 m		2.0 m	
B								
3.0	430	*680	*620	*620	-	-	-	-
2.5	360	*700	540	*700	*660	*660	-	-
2.0	330	*700	540	*770	730	*880	-	-
1.0	290	*700	490	*1010	680	*1300	870	*1750
0	310	*750	490	*1140	630	*1450	910	*1960
-1.0	410	*750	480	*940	640	*1270	930	*1730
-1.5	520	*730	-	-	640	*960	940	*1310

Machine with canopy,  
rubber crawlers,  
bucket of 86 kg (540 mm).

A: Overhang from rotational axis (m).  
B: Height of hooking point (m).  
C: Safe working load (kg).  
(+ 4% with cab).



Blade above ground								
A	Maxi		3.0 m		2.5 m		2.0 m	
B								
3.0	430	490	*620	*620	-	-	-	-
2.5	360	430	540	*660	*660	*660	-	-
2.0	330	390	540	630	720	*830	-	-
1.0	290	350	490	580	680	790	870	1060
0	310	360	490	570	630	760	910	1090
-1.0	400	480	480	580	640	760	930	1130
-1.5	520	630	-	-	640	760	940	1090

Tipping load,  
rating over front

Tipping load,  
rating over side 90°

The data contained in these tables represent the lifting capacity in accordance with ISO standard 10567. They correspond to 75 % of the maximum static tipping load or 87 % of the hydraulic lifting power. Data marked \* are the hydraulic limits of the lifting power.